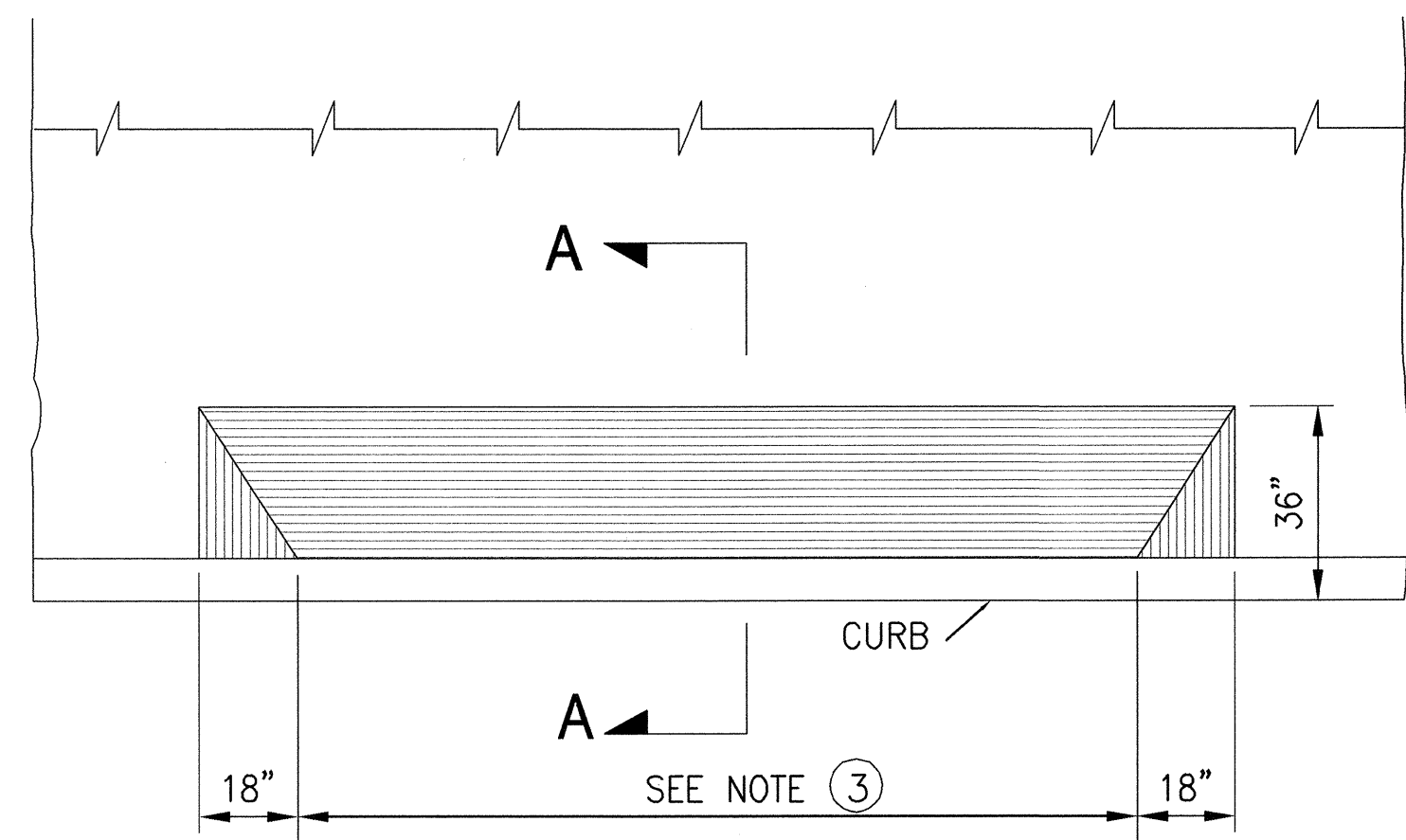


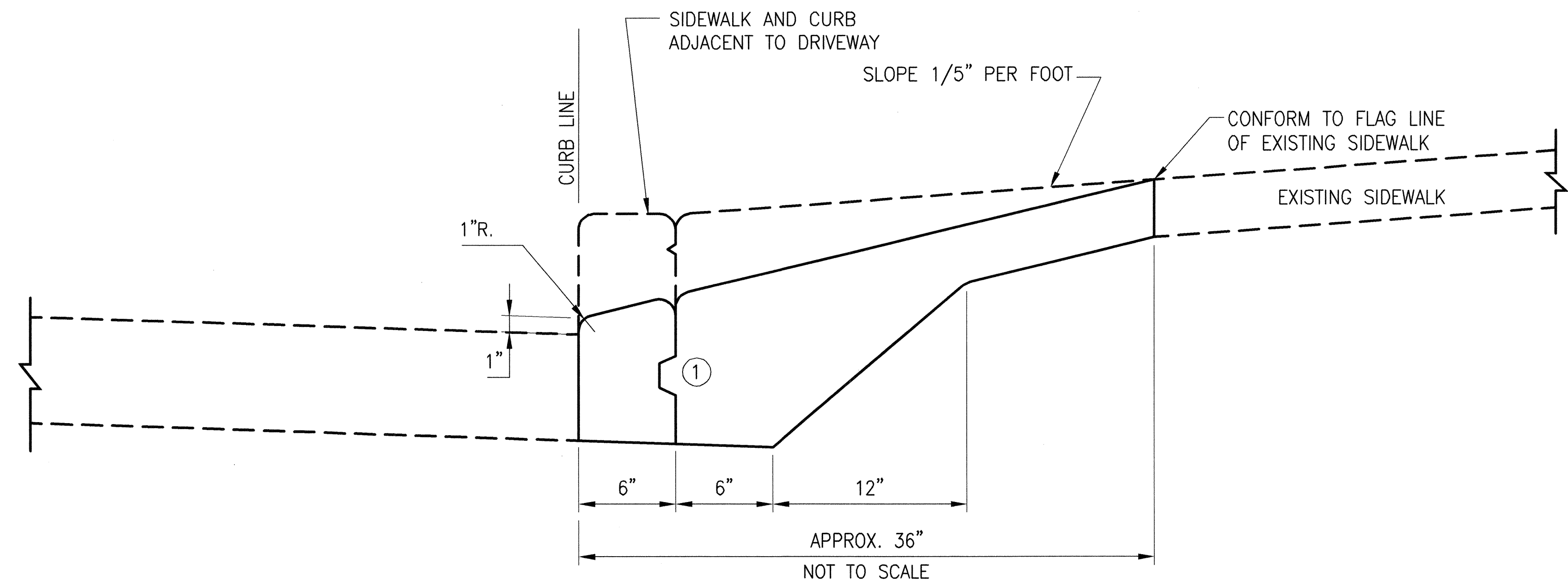
**VIEW FROM ROADWAY**



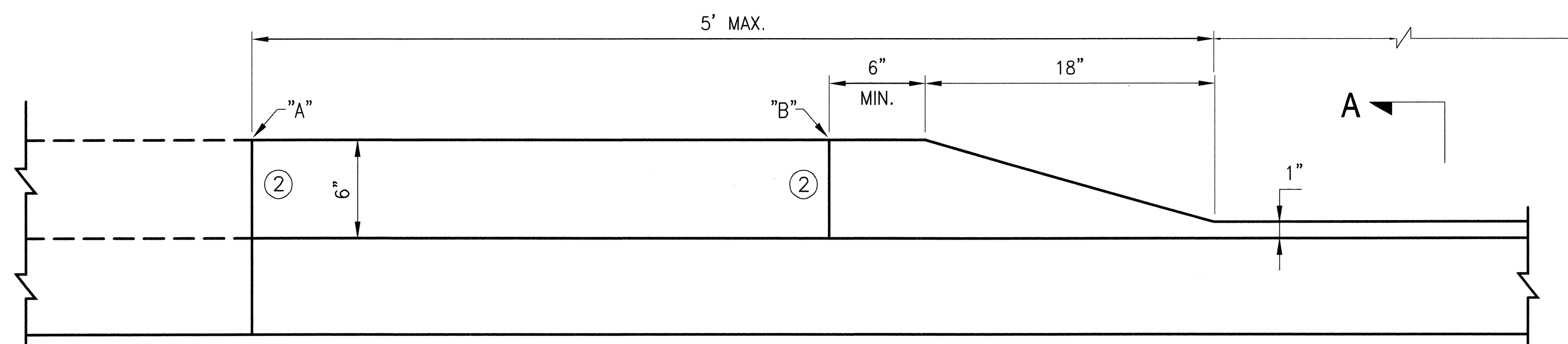
**PLAN VIEW OF DRIVEWAY**

**NOTES:**

- ① 2-1/2"x1" LONGITUDINAL JOINT PER STANDARD PLAN 87,173 ONLY IF CURB IS POURED SEPARATELY.
- ② CONCRETE CURB SHALL BE REPLACED TO JOINT "A" IF WITHIN 5 FEET, OR SAWCUT AT POINT "B" IF JOINT IS OVER 5 FEET AWAY. STONE CURB SHALL BE REPLACED TO NEAREST SECTION AND THE ENDS CLEANED AND SQUARED.
- ③ WIDTH OF DRIVEWAY IS 9 FEET STANDARD, 30 FEET MAXIMUM.



**SECTION "A-A"**

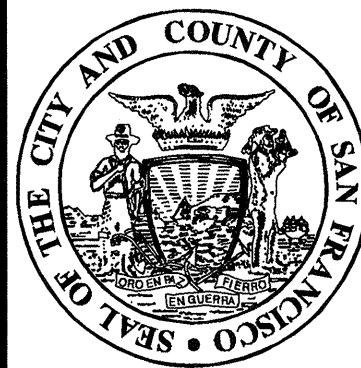


**FRONT VIEW**

This Standard Plan was developed for use on public works projects in the City and County of San Francisco, and shall not be used without consulting a Registered Professional Engineer. The Department of Public Works reserves the right to make revisions to this Standard Plan at any time.

NO.	DATE	DESCRIPTION	BY	APP.
TABLE OF REVISIONS				
CHECK WITH TRACING TO SEE IF YOU HAVE LATEST REVISION				

REFERENCE INFORMATION & FILE NO. OF SURVEYS



**BUREAU OF ENGINEERING**  
**DEPARTMENT OF PUBLIC WORKS**  
**CITY AND COUNTY OF SAN FRANCISCO**

REVIEWED:	DATE:	PLANS APPROVAL DATE:	APRIL 30, 2007
PR	10/01/06	<i>Paul D. DeWitt</i>	4/27/07
DRAWN:	DATE:	SECTION MANAGER	
GY	10/01/06	<i>M. M.</i>	4/30/07
CHECKED:	DATE:	DEPUTY BUREAU MANAGER	
EK	11/01/06	<i>Jan M.</i>	
		BUREAU MANAGER	

<b>STANDARD PLAN</b>	
<b>STREETS AND HIGHWAYS</b>	
<b>DRIVEWAY CONSTRUCTION</b>	
OLD FILE NO.	L-6964.1
FILE NO.	L-19,689.1 CH 3
REV. NO.	87,171

Xrefs: V:\0966J Standard Plans & Specs Update\2\_Plans\Title\_Block\BOT STD Title Block.dwg  
 Dimension Scale: 1  
 Model Units: Inches  
 Drawing Path: V:\0966J Standard Plans & Specs Update\2\_Plans\SH\RR4.dwg, Login: carantos  
 Plot Time: Fri, 27 Apr 2007 - 10:29am